

School of Mechatronics & Robotics  
Indian Institute of Engineering Science and Technology, Shibpur  
Howrah 711103 INDIA

---

Dated: 19th August 2016

Notice Inviting Quotations

Sealed quotations are invited from manufacturers, suppliers and agents for the following item as mentioned below:

Item No. 1 Mechanical Fabrication of an Ankle Foot as per the drawings :

Tolerance -As specified ( 0.01 mm - if not mentioned)

Drive Type - motor driven (to be provided by IEST)

Material as specified in the drawings (MS, Chrome Plated where not specified) with proper strength and finishing to carry the load of an adult person of 80 Kg. weight.

Provision for mounting battery

Quantity - 1 complete setup

The sealed quotation should be submitted to Prof. Subhasis Bhaumik, Coordinator, School of Mechatronics & Robotics, 3rd Floor, New Science & Technology Building, Indian Institute of Engineering Science & Technology, Shibpur, Howrah - 711103, West Bengal, INDIA

Last date of submission : 30.08.2016 (Tuesday) upto 2.00 p.m.;

Date of opening : 30.08.2016 (Tuesday) at 3.00 p.m.

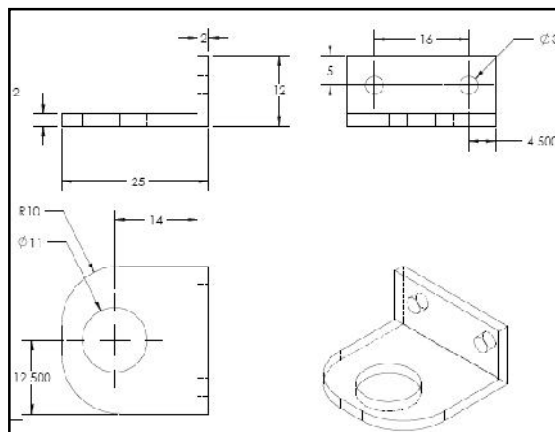
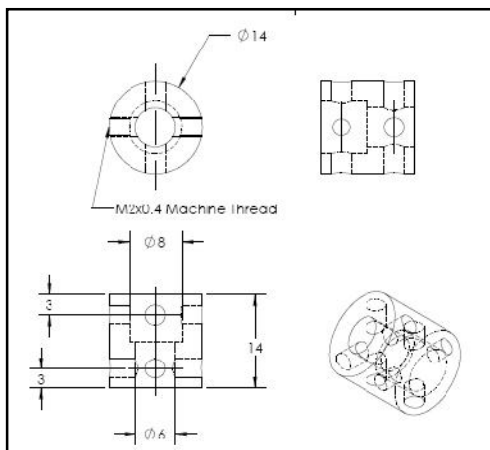
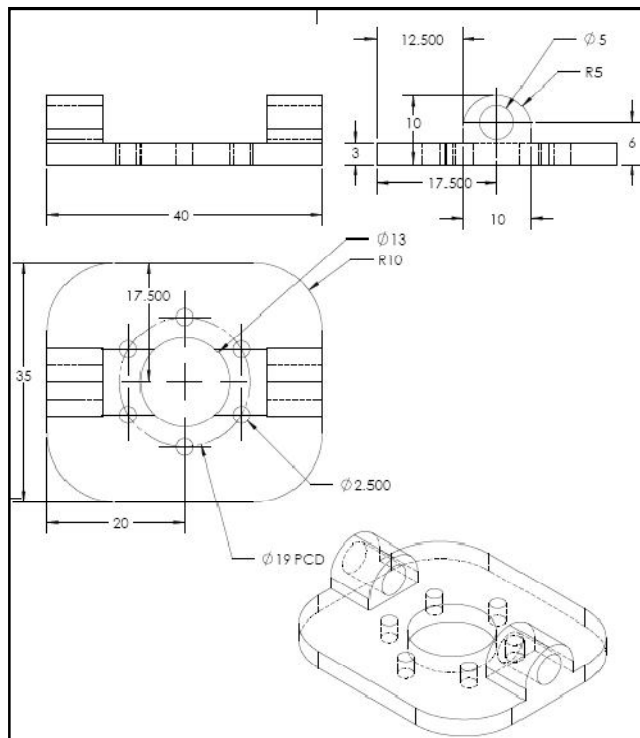
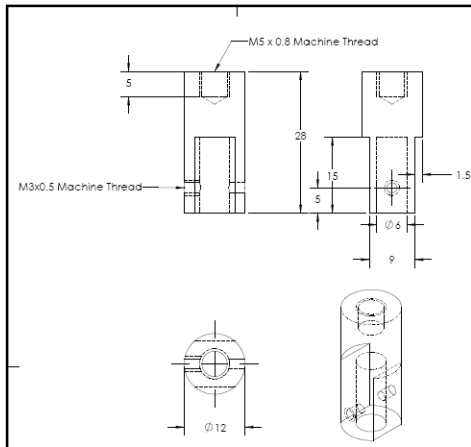
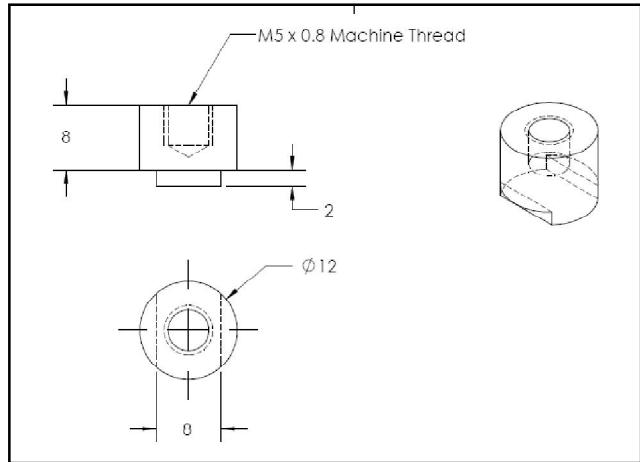
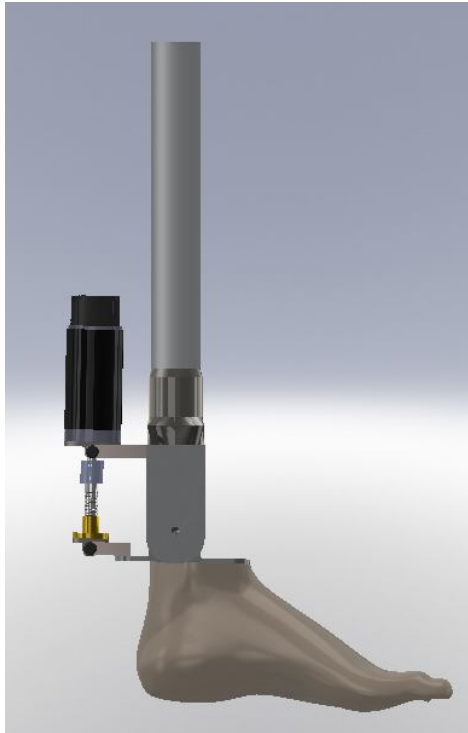
(Subhasis Bhaumik)

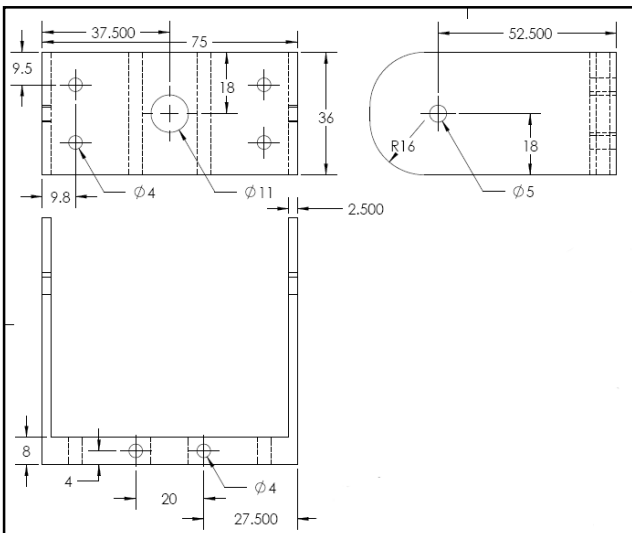
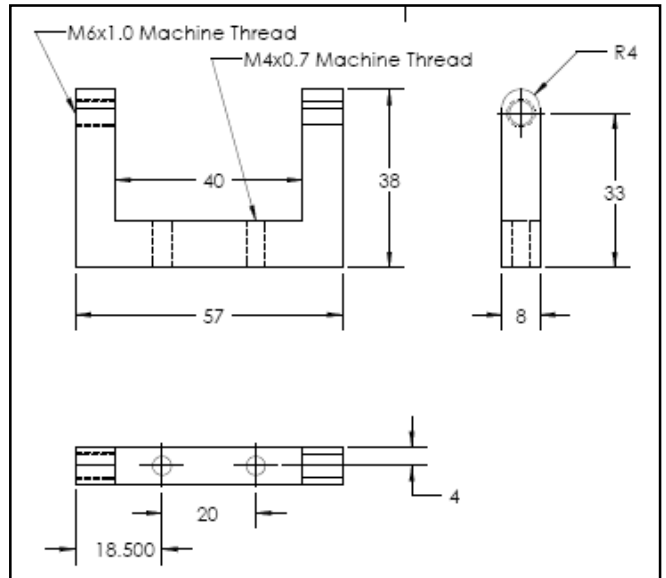
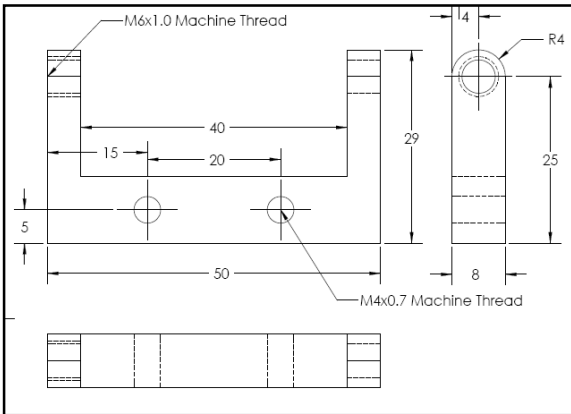
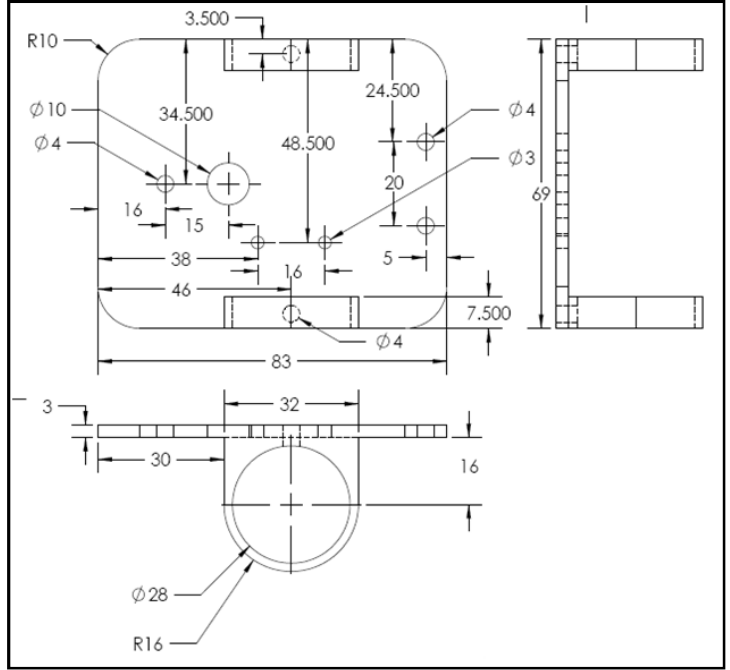
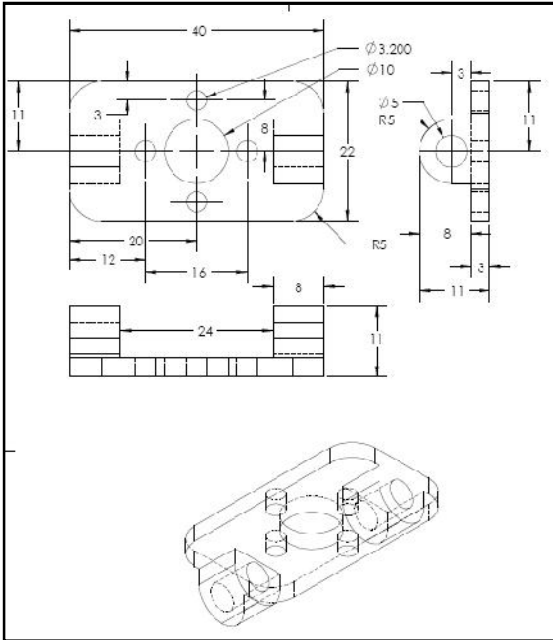
Co-ordinator, School of Mechatronics & Robotics

IEST Shibpur

Copy to : (1) Notice Board of SM&R  
(2) Institute Website

Encl: Schematic drawings of the ankle foot





Quantity - 1 piece Each  
 Material - MS, Chrome Plated  
 Tolerance - 0.1 mm