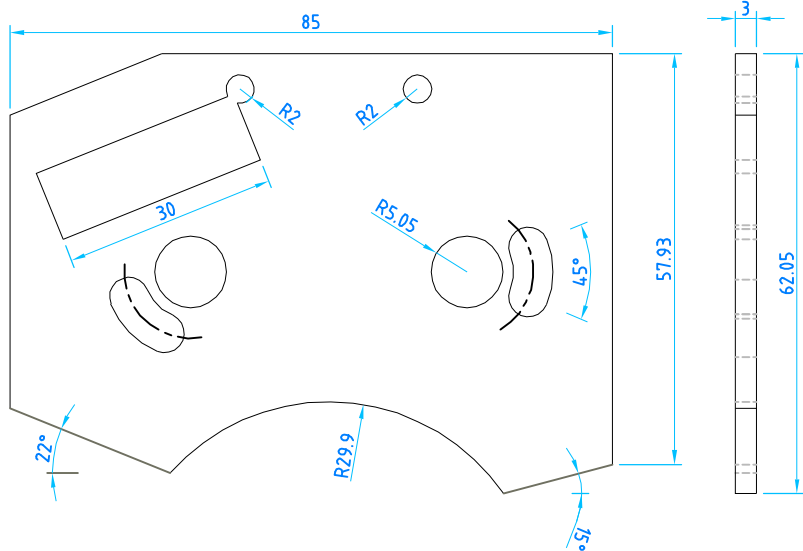
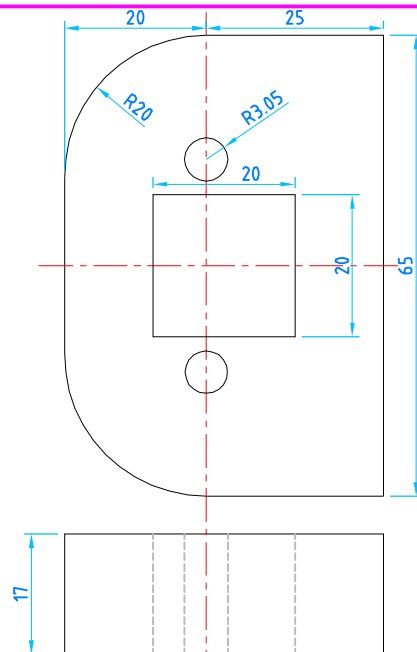


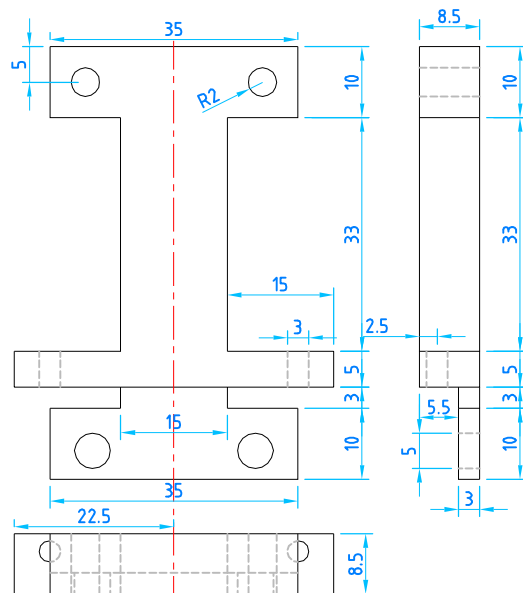
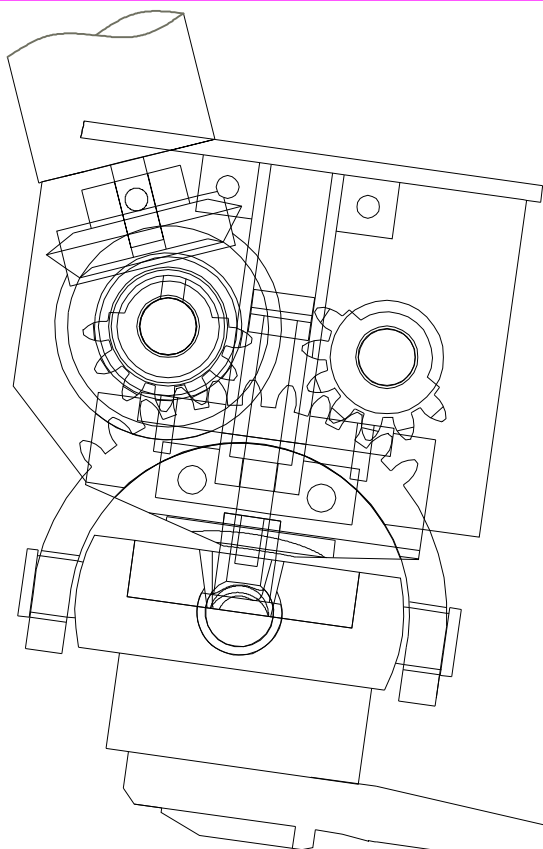
Part Name - Foot
 Material - Carbon Fibre Composite
 Qty.- 1 no.
 Tol. - 0.01 mm



Part Name - Side Sheet
 Material - Aluminium
 Qty.- 2 nos.
 Tol. - 0.01 mm



Part Name - Spacer
 Material- Aluminium
 Qty.- 1 no.
 Tol. - 0.01 mm



Part Name - Cross Bar Qty.- 2 nos.
 Material - High tensile alloy steel (EN24)
 Tol. - 0.01 mm



Assembly of Ankle Foot Prosthesis