

**Office of the Dean Research and Development
Indian Institute of Engineering Science & Technology (IEST), Shibpur
Howrah-711 103**

Project Code: DRC/DST/CEGESS/HS/022/16-17

**Centre of Excellence for Green Energy & Sensor Systems
Indian Institute of Engineering Science & Technology (IEST), Shibpur
Howrah-711 103**

Notice Inviting Quotations

Sealed quotations are invited for the supply of

Item 1. 3 inch and 6 inch Stencil.

Item 2. XEON ARC LAMP.

as per the following technical specification. The technical specification can be downloaded from the website. The document can be also obtained from the Centre of Excellence for Green Energy & Sensor Systems (contact: Prof. H. Saha) between 10.00 a.m. and 5.00 p.m. on all working days. The invitation is valid for 7 working days from the date of publication of this notice.

Dean (R & D)

(A. Code DRC-T062/17-18)

SECTION I: TERMS & CONDITIONS

- 1.** The last date of receipt of quotation is valid **for 7 working days** from the date of publication of this notice. Quotations received later will not be entertained under any circumstances.
- 2.** Potential supplier are to submit the quotations in Sealed Cover to the Centre of Excellence for Green Energy & Sensor Systems in the following address:

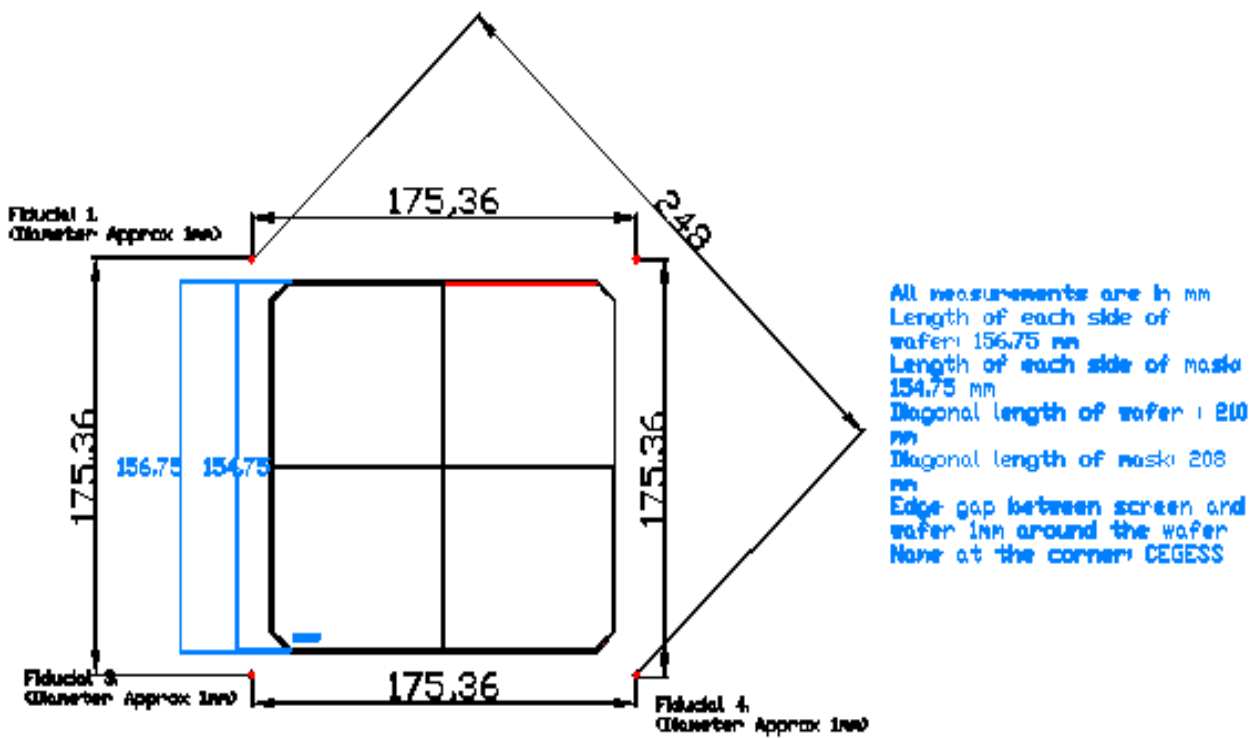
**Prof. H. Saha
CEGESS
IEST, Shibpur
Howrah-711103, India**

- 3.** Item name must be mentioned on cover
- 4.** The price quoted should be inclusive of all Taxes in INR, duties and levies. Inclusion of Tax/Levy at a latter stage will not be accepted. Freight, Insurance charges should be clearly indicated. If GST is chargeable then price quoted should be inclusive of GST in INR.
- 5.** Vendor should have proven track record of supply in IEST, IIT, NIT, IISc.
- 6.** Commercial Papers duly signed & must be attached.

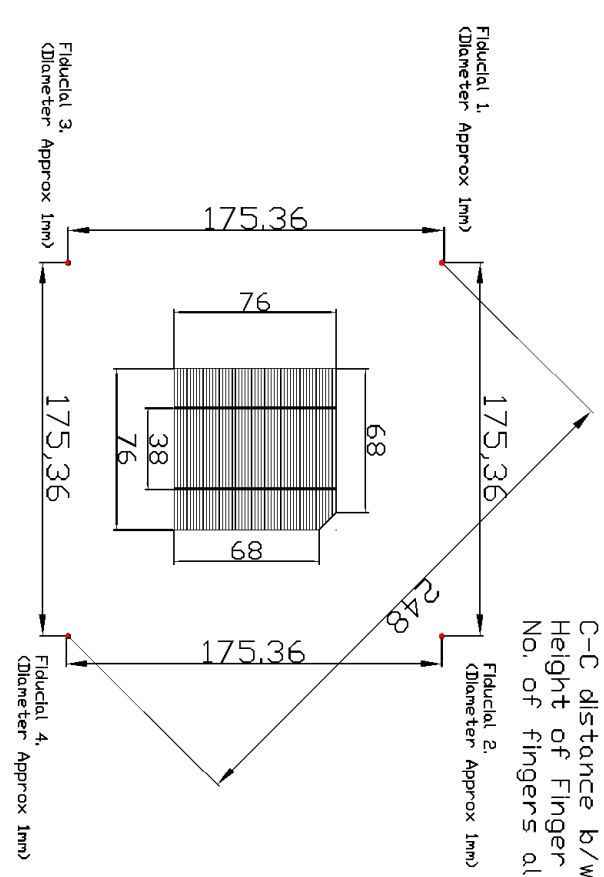
SECTION II: TECHNICAL SPECIFICATIONS

Item 1.

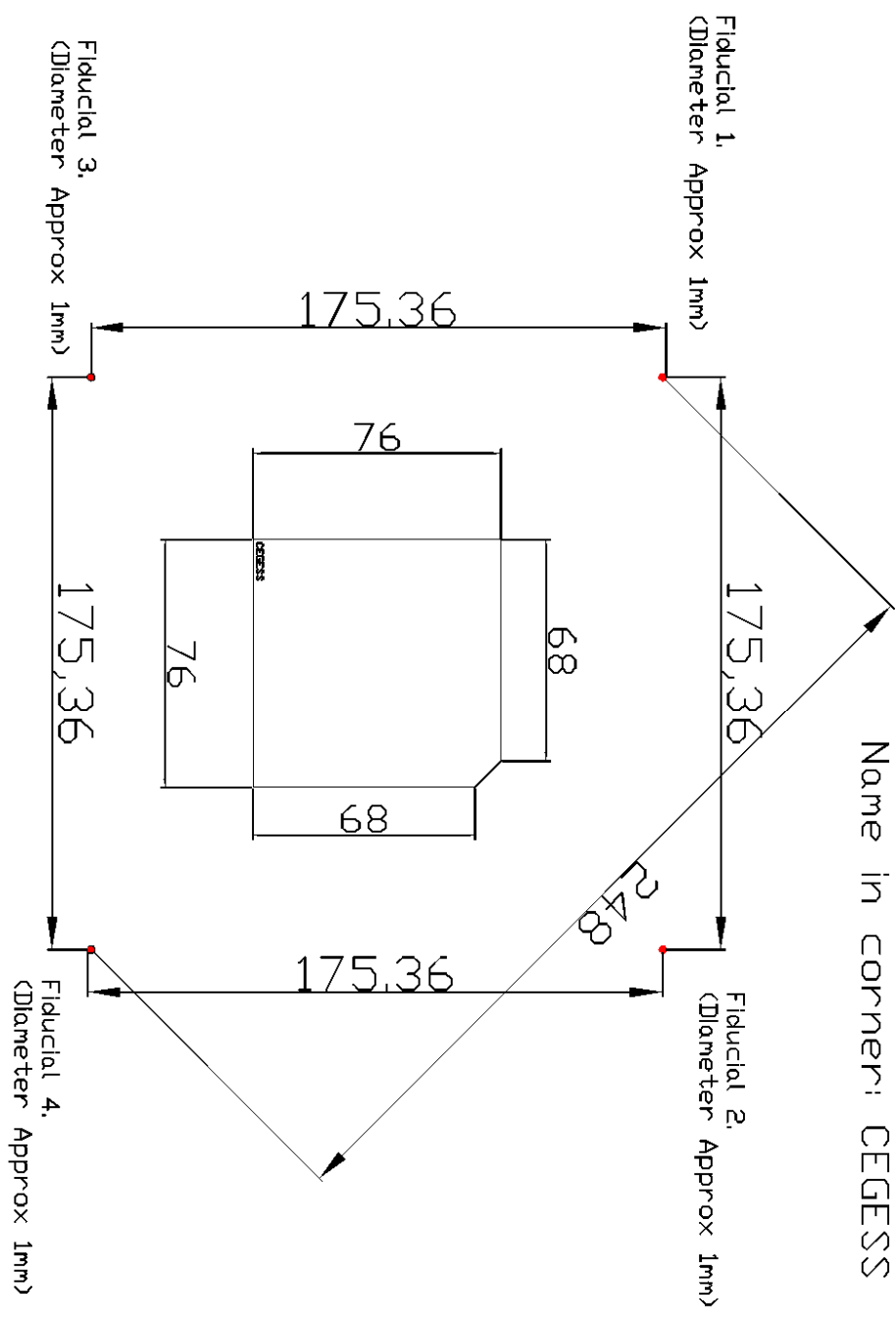
3 inch and 6 inch Stencil

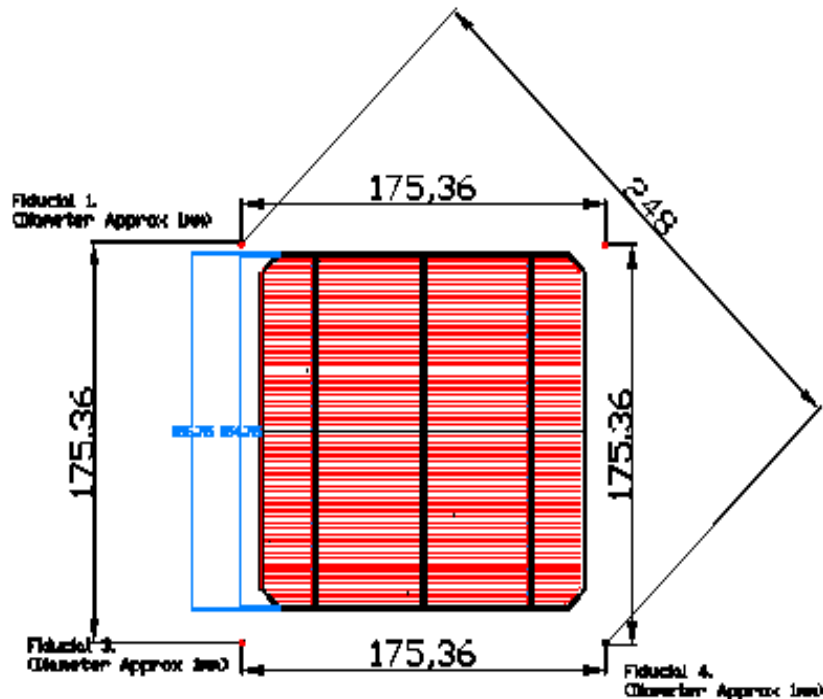


All dimensions are in Millimeter,
 Number Busbar 2 nos
 Finger Width 0.03mm,
 Busbar Width 1.50mm,
 C-C distance b/w Fingers 1.515 mm,
 C-C distance b/w Busbars 38 mm,
 Height of Finger 76 mm,
 No. of fingers along y-axis=51



All dimensions are in Millimeter
Name in corner: CEGESS





All measurements are in mm
 Width of busbar 1mm
 Width of fingers 0.025 mm
 No. of fingers 96
 No. of busbars 3
 Length of each side of wafer 156.75 mm
 Length of each side of mask 154.75 mm
 Diagonal length of wafer 210 mm
 Diagonal length of mask 208 mm
 Edge gap between screen and wafer 1mm around the wafer

[Note : Price for the Stencil Frame mention separately]

Item 2. Technical Specification :

Technical Specifications for XEON ARC LAMP for Sun simulator

Product Name	Watts	Rated	Rated	MOL	LCL	Dia	Arc	Avg.
	(W)	Amps	Voltage (V)	(mm)	(mm)	(mm)	Gap (mm)	Life (h)
Xenon ARC Lamp	1000	50	20	245	98.5	40	4.2	1500

N.B: Supplied product must be compatible for the I-V Simulator SS150AAA supplied by PET,USA