

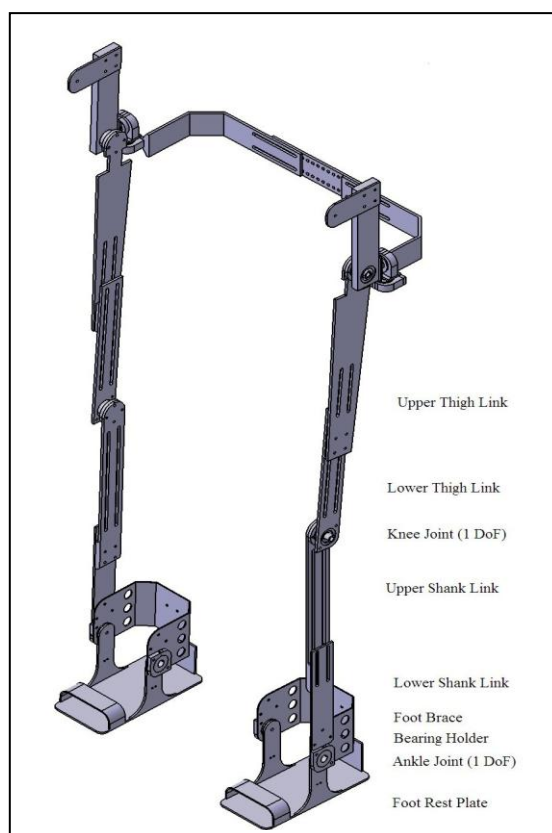
Department of Aerospace Engineering and Applied Mechanics
Indian Institute of Engineering Science & Technology (IEST), Shibpur
Howrah-711 103

Enquiry No.: IEST/AE&AM/SB/CPDA/1 Dated 26.02.2018

Notice Inviting Quotations

Notice inviting sealed quotations from manufacturers, suppliers and agents for fabrication /supply /development of the following item as mentioned below under CPDA account of Dr. Subhasis Bhaumik (approval order no. 3594/Dean(FA)/CPDA/18 dt. 20.02.2018):

Item No. 1: Complete Fabrication of a Lower Limb Exoskeleton Device as per drawing.
Quantity: 1 no. (complete setup) Material: Mild steel / Aluminium



All mechanical parts should be fabricated and assembled as per the drawing. Details may be available from: Dr. Subhasis Bhaumik (Email: sbhaumik_besu@yahoo.co.in, subhasis@aero.iests.ac.in, Mobile No. - 9836044278). The system should have smooth proper surface finish with appropriate coating. The price quoted should be inclusive of all Taxes in INR, duties and levies. Inclusion of Tax/Levy at a later stage will not be accepted. Freight, Insurance charges should be clearly indicated. If GST is chargeable then price quoted should be inclusive of GST in INR. The sealed signed quotation along with GST certificate, PAN, valid Trade license (current), should be submitted to Head, Department of Aerospace Engineering & Applied Mechanics, Indian Institute of Engineering Science & Technology, Shibpur, Howrah - 711103, West Bengal, INDIA indicating enquiry no. and date on the top of the envelop.

Deliver time: Within 07 days from the date of placement of order.

Last date of submission of quotation: 05.02.2018 (Monday) upto 2.00 p.m.;

Date of opening of quotation: 05.02.2018 (Monday) at 3.00 p.m.

Indian Institute of Engineering Science and Technology (IEST), Shibpur, Howrah reserves the right to accept/ reject all or any of the quotations without assigning any reason whatsoever.

Dr. Subhasis Bhaumik

Professor - Department of Aerospace Engineering and Applied Mechanics

Indian Institute of Engineering Science & Technology (IEST), Shibpur, Howrah-711 103