

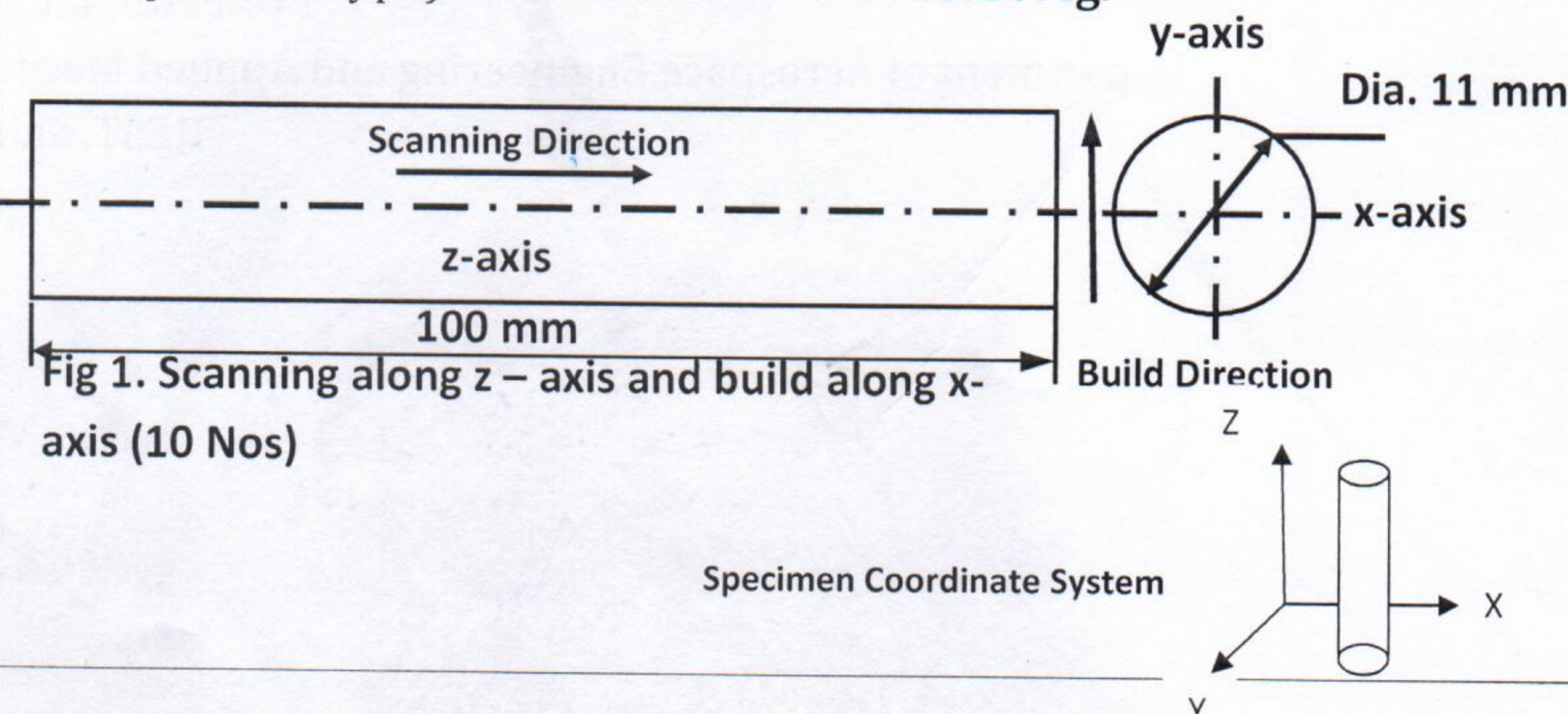
November 05, 2019

Enquiry No.: 02/AE&AM/NK/CPDA/2019-20

Notice Inviting Quotations

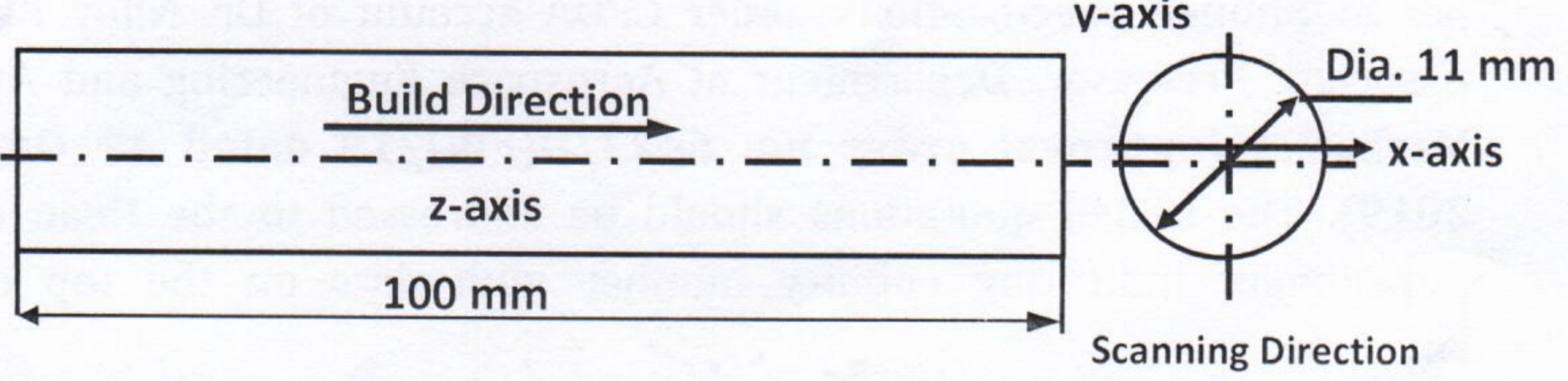
Quotations are invited for the supply of the following items/consumable as per mentioned specifications under CPDA account of Dr. Niloy Khutia, Associate Professor, Department of Aerospace Engineering and Applied Mechanics (**approval order no: 6423/D(FW)/19 dated 4th October, 2019**). The sealed quotations should be addressed to the Head of the Department indicating enquiry number with date on the top of the envelope.

The quotation should include all kind of taxes/duties and delivery charges of the item to the Office of the Department of Aerospace Engineering and Applied Mechanics, IEST Shibpur.

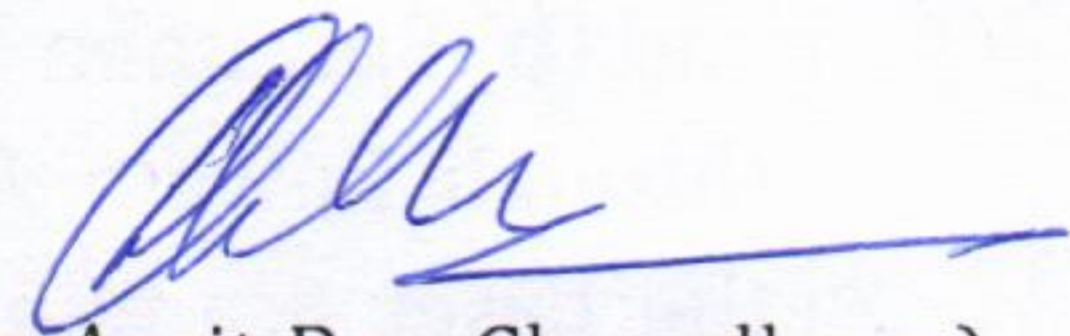
Sl No.	Description/Specification of Items/Works
1.	<p>Preparation and Supply of solid circular specimens (with diameter of 11mm. and length of 100mm) according to a) Specimen Type-A (10 Nos) and (b) Specimen Type-B (10 Nos) as per drawing (see attached), prepared through Powder Bed Fusion type Additive Manufacturing process (with the Laser Scanning Direction and the Build Direction being specified for each specimen type). The base material is AlSi10Mg.</p>  <p>Fig 1. Scanning along z – axis and build along x-axis (10 Nos)</p> <p>Specimen Coordinate System</p>

Niloy Khutia 04-11-2019

Department of Aerospace Engineering and Applied Mechanics
Indian Institute of Engineering Science and Technology, Shibpur,
 P.O Botanic Garden, Howrah-711103, West Bengal, India

Sl No.	Description/Specification of Items/Works
2.	 <p>Fig 2. Scanning along x – axis and build along z-axis (10 Nos) <i>All dimensions in mm</i></p>

Last date of submission of sealed quotation is **4:00 P.M on 13th November, 2019** and tenders will be opened at **05:00 P.M on 13th November, 2019** in the Office of the Department of Aerospace Engineering and Applied Mechanics, IEST Shibpur.



(Dr. Amit Roy Chowdhury)
 Professor and Head
 Department of Aerospace Engineering and Applied Mechanics
 IEST, Shibpur

04-11-2019