

PO: Botanical Garden
Dist. Howrah, West Bengal
Pin: 711101

CONTACT

email : rebece81.iie8t@gmail.com

web: www.rebece2k19.co.in

Ph. : +91 9534048351 | +919532112389

Date:-08.04.2019

TENDER No. : REBECA2019/IIESTS/TENDER/PRODUCTION/01/08-04

Sealed quotations are invited from bonafide equipment owners for the whole work as specified below under the name of Production of REBECA 2018, 81st Annual Reunion and Cultural Fest of IIEST, Shibpur to be held on 11th -14th April, 2019. Sealed quotation should be dropped to Sandipan Roy (7278139981) and Pratya Amrit (9007476175) (Finance Secretary), REBECA 2019 by 3:00 PM on 08.04.18. Opening of the technical bid will be on 08.04.19 at 4:00 PM at Guest House, IIEST Shibpur.

8/4/19
8/4/19

The following agencies only are invited to bid for the tender:

1. The Sound Wave, Kolkata
2. Friends of Shiva Pvt. Ltd.
3. Radio Voice
4. Universal Sound & Light
5. Integrated Systems
6. Kaarma Entertainment.
7. Orange Production.
8. E365 media solution
9. Blackeyed.
10. Echoes.
11. Laxmi Rani Production

Subhas Chandra Mandal
Convener REBECA 2019 8/04/19

IIEST, Shibpur
Professor
Mechanical Engg. Deptt.
Indian Institute of Engineering
Science and Technology, Shibpur
Howrah-711 103.

Indian Institute of Engineering Science and Technology,
Shibpur Howrah-711103

Name of Tender: Production of REBECA 2019, Annual Reunion and Cultural Fest of IEST, Shibpur between 11th to 14th April 2019 (all days involved).

1. Name of the Firm: (In block letter)
2. Office Address:
3. Phone No.:
4. Nature of establishment (Partnership/Proprietorship/Etc.):
5. Name of Partner(s) / Proprietor(s):
6. PAN No.:
7. Trade License No.:
8. GST No.:

Quoted rate (for the whole work):

(Use separate sheet, if required)

Bill of quantities for the production: Sound equipment, Lights equipment, LED Displays, Generator power, Videography, Stage Design, Venue Cover, (to be considered as a whole and indivisible work).

SOUND EQUIPMENT REQUIREMENTS

SL	Item	Preferred Model	Quantity
1	Line Array Speaker System	JBL VerTec 4889/RCF TT55A	16
2	Sub	JBL VerTec 4880A/9008AS	16
3	Side Fill Speakers	JBL JRX	4
4	Side Fill Sub	JBL	4
5	Drum Fill Speakers	JBL PRX	2
6	Drum Fill Sub	JBL PRX	2
7	Centre Fill Speakers	JBL VRX 932/RCF HDL20	4
8	Floor Wedges for Vocals	ALL ACTIVE	4
9	Floor Wedges for Band	ALL ACTIVE	8
10	Lead Guitar Amps	Marshall JCM 900	1
11	Bass Guitar Amps	Hartke 4*4 drive	1
12	Keyboard Amps	Roland KC	1
13	In-Ear monitor System	Sennheiser G3	8
14	Cordless Guitar System	Shure UR4D-KSM9	3
15	Cordless Microphone	Sennheiser G4	5
16	Corded Microphone	Sennheiser E945	10
17	"	Shure SM58	10
18	"	Shure SM57	10
19	"	Shure SM81	4
20	"	Shure Beta 91A	1
21	"	Sennheiser Drum kit	1
22	"	Sennheiser E906 Guitar Amps	2
23	"	Audix D6	1
24	"	AKG C1000	2
25	"	Shure Beta 91A	1
26	FOH Sound Console	Digico SD10 WITH SD RACK/AVID S6L 24D	1
27	CD Player	Pioneer CDJ-2000NXS-DJM900	2
28	DSP Processor	XTA DPA Series	1
29	DI Unit	Radial / BSS	16 or as per requirement
30	Microphone and Stage gear Stands.	Iron Base Stainless Steel	35 or per requirement

NOTE:

1. The stage backline equipment's have been specified based on moderate tech riders of general Bollywood artistes. Hence, for items 10, 11 and 12 specifically and for other microphone systems and sound gears, the models required may moderately vary according to artiste's tech-rider and if required, the variations need to be adjusted and provided in place of the mentioned model within quoted rates. For this replacement of models, artiste's tech-riders shall be provided in advance.

2. For item 26: In case the artiste's tech-rider requires a 48 channel Analogue mixer, it needs to be accommodated as per requirement.

3. Along with items 1 to 30, music instruments as required by the artiste's techrider shall be provided.

LIGHT SPECIFICATION

Sl	Item	Quantity
1	Pointy- 3 Motor Prism	24
2	LED PAR (RGBW) 5Watt	124
3	WARMPAR	24
4	LASER – 0.5 microWatt	2
5	Blender	16
6	Profile	8
7	LED Follow (Multicolour)	1
8	Haze	2
9	Fire	4
10	Tiger Touch/Grandma	1
11	Splitter Multijoin	2
12	Jumbo Smoke 4500 Watt	2

Special Effects ^{13.} | ~~Two~~ LED ~~Star~~ Ball with 1m dia | 2

S
8/04/19

Sl	Item	Quantity
1	Co2 Jet	4Pcs
2	Gas Confetti with Paper	4Pcs
3	Co2 Gun	1 Pc

Note:

Chocolate confetti or Fire Confetti is not Acceptable.

LED DISPLAY SPECIFICATION:

1. Main Centre Circular Display of 8 ft.radius - with 2 side LEDs of 4 ft. x 16 ft. and 2 side LEDs of 4 ft. x 14ft.
2. With 1 no. 12 ft. x 4 ft. LED for DJ Table for 1 Day.
3. Mixing Console.
4. LED wall operator.
5. Glow sign Board (2 no's) symbolizing the logo of "81st REBECA 2019" of 2 ft. x 4 ft.

GENERATOR POWER:

(Excluding the fuel charge)

1. 125 kV Soundproof Genset.
2. 60 kV Soundproof Genset.

VIDEOGRAPHY:

1. Full HD (1920 x 1080: 60fps) videography of all the 4 night major events.

STAGE DESIGN:

(please find the design in the next page)

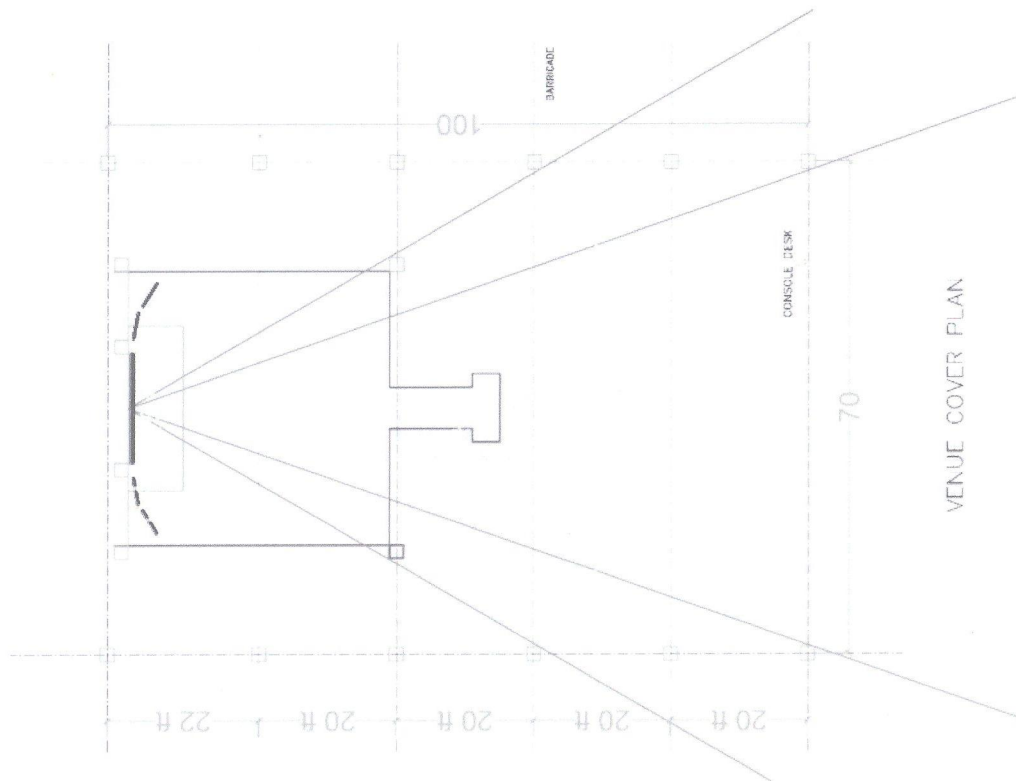
1. Main Stage: Dimension: 40 ft. x 40 ft. x 4ft. (height) + Ramp (8 ft. x 8 ft.) + Extension (6 ft. x 12 ft.).
2. LED Riser: 6 ft. high from surface of stage platform.
3. Drum Riser: 8 ft. X 8 ft. x 1.5 ft. high – 3 no's.
4. Trussing as per design (Design should be at par with the diagram provided in the tender).
5. Sound, Light, Video and LED Console Setup – 24 ft. x 8 ft. / 6 ft.
6. 300 ft. Metal Barricade.

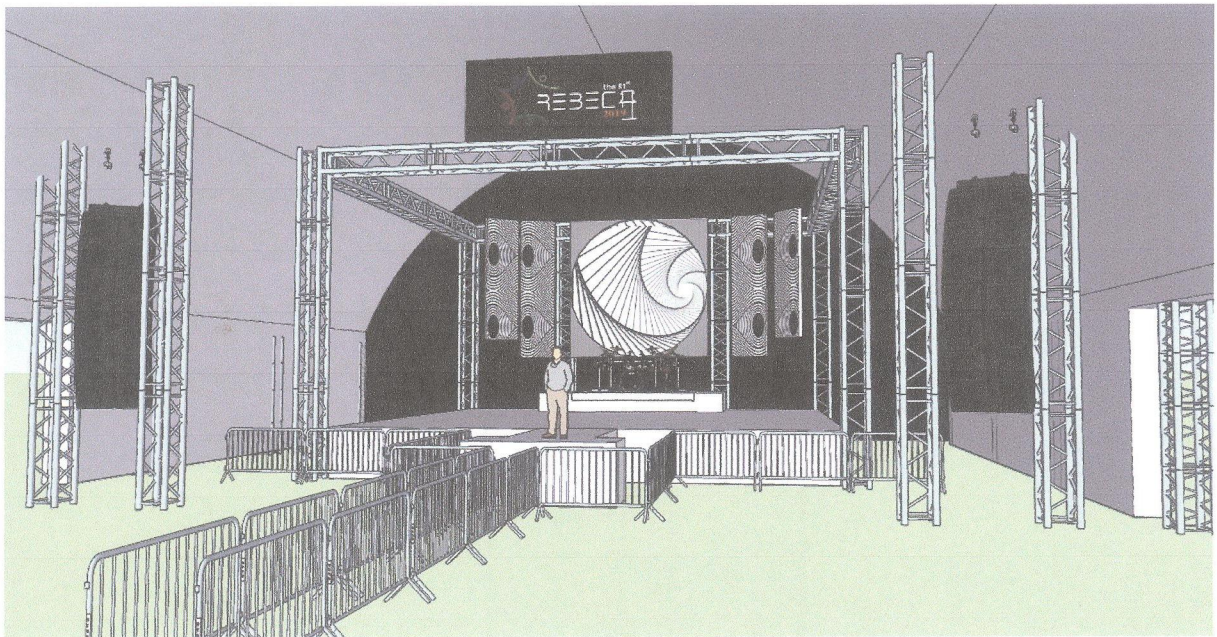
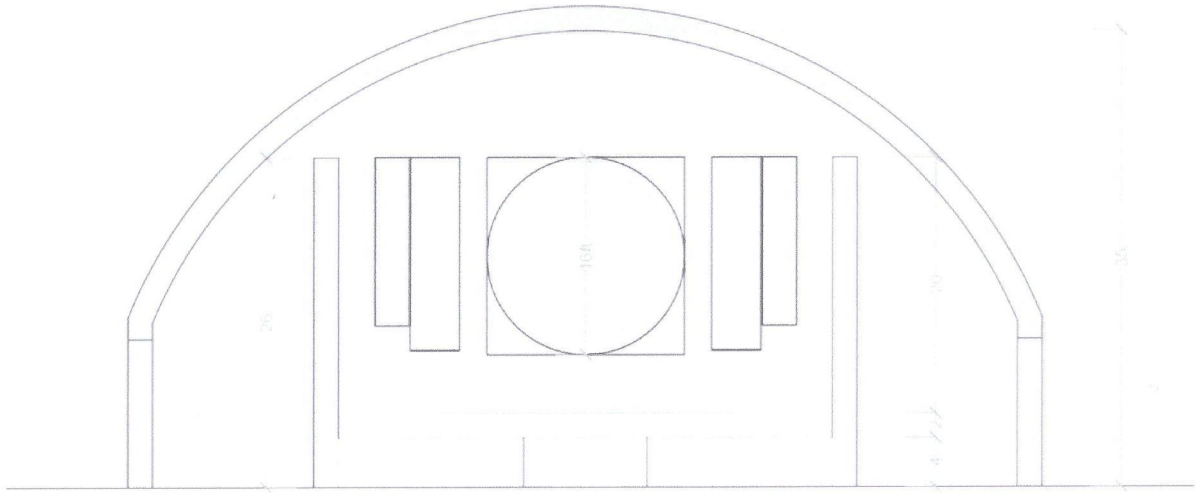
7. Metal Stairs both at rear and front of stage - 3 no's
8. Black masking and stage carpet (red or grey).
9. Scaffolding for Line Array with top truss.
10. 6 no's Chain Pulley Blocks.
11. 3 metre x 6 metre gazebo for sound console.
12. Scaffolding with platform for follow & camera tower.

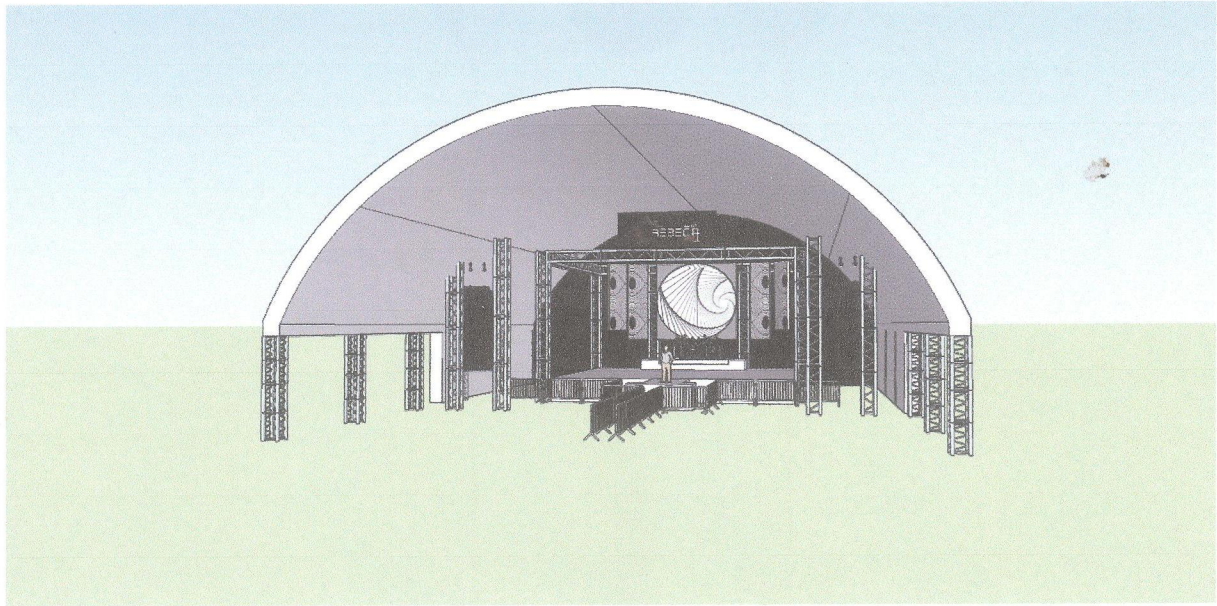
VENUE COVER:

1. Hanger as per design (C Shaped) and specifications provided for stage area and audience, with black or blue masking.

Length: 100 ft., Span: 70 ft. (span must be adjusted to accommodate 26 ft. high stage truss).







To

The Convenor, REBECA 2019

IEST Shibpur

Howrah-711103

I/We agree to execute the work in accordance to requirement at the above mentioned at the above quoted items rates for a total price of Rs. _____(Rupees)

		Vendor name	Rate	GST	Sub-Total
1	Sound				
2	Light				
3	Venue Cover				
4	Stage Truss				
5	125KVA Genset				
6	65KVA Genset				
7	Videography				

Total: _____

Authorized Signature: _____ Dated:- _____ Address:- _____

Name & Title of Signatory:

Name of the bidder and Seal:

Terms & Conditions:

1. All rates quoted should be inclusive of all taxes, levies & duties. The rates should be quoted both in figures and words and should be filled up **printed (i.e. the tender document must not contain any handwritten part)**. Request for inclusion of any tax/levy at a later stage will not be entertained.
2. The GST breakdown must be filled compulsorily and proper breakage of taxes must be shown also.
3. **The vendor must produce income tax return of the last financial year i.e. 2018-2019.**
4. Transportation, Packing, Forwarding and Insurance Charges (if any) to be charged should be specifically indicated.
5. **The vendor must have at least one work experience of above Rs. 5 lakhs in some government institution/sector.** *8 Aug/4/19*
6. **The Convenor of REBECA 2019** reserves the right to accept or reject all or any of the tenders without assigning any reason whatsoever. The decision of the convenor of **REBECA 2019** shall be final in case of any dispute.
7. **The installation work must be completed by 12:00 p.m. on 11th April 2019. Dismantle the installation after 8.00a.m. of 15th April 2019.**
8. Materials & accessories used should be as per specification and of Approved Quality (B.I.S.).
9. Bills in Triplicate should be presented for payment within 15 days of completion of work.
10. The Order no. is to be noted on both the Challan and the Bill.
11. All bills are to be accompanied by order copies and challans as received.
12. Payment will be made within 90 days of Submission of proper bills, challans etc.
13. Last date of submission of quotation is up to 08.04.2019 to **Sandipan Roy (7278139981) & Pratya Amrit (9007476175)**.
14. **Opening on 08.04.19 at 6:00 pm according to the decision of the Convenor of REBECA 2019.** *8/4/19*
15. For any query contact **Mr. Sambaditya Mitra (9800126875)** or **Mr. Shouvik Mondal (8910961088)**, **Secretary, Stage and Decorations, REBECA 2019, IEST Shibpur.**

Subhas Chandra Mondal
Convenor *8/04/19*

REBECA 2019

**IEST, Shibpur
Professor
Mechanical Engg. Deptt.
Indian Institute of Engineering
Science and Technology, Shibpur
Howrah-711 103.**