

**Office of the Dean Research and Development
Indian Institute of Engineering Science & Technology (IEST), Shibpur
Howrah-711 103**

Project Code: DRC/DST/CEGESS/HS/022/16-17

**Centre of Excellence for Green Energy & Sensor Systems
Indian Institute of Engineering Science & Technology (IEST), Shibpur
Howrah-711 103**

Advt. No. CGE 1313, dated 22.12.2017

Notice Inviting Quotations

Sealed quotations are invited for the supply of

Item 1. 3" X 3" Stencil for Solar Cells Printing.

as per the following technical specification. The technical specification can be downloaded from the website. The document can be also obtained from the Centre of Excellence for Green Energy & Sensor Systems (contact: Prof. H. Saha) between 10.00 a.m. and 6.00 p.m. on all working days. The invitation is valid for 07 working days from the date of publication of this notice .

Dean (R & D)

(A. Code DRC-T099/17-18)

SECTION I: TERMS & CONDITIONS

1. The last date of receipt of quotation is valid **for 7 working days** from the date of publication of this notice. Quotations received later will not be entertained under any circumstances.
2. Potential supplier are to submit the quotations in Sealed Cover to the Centre of Excellence for Green Energy & Sensor Systems in the following address:

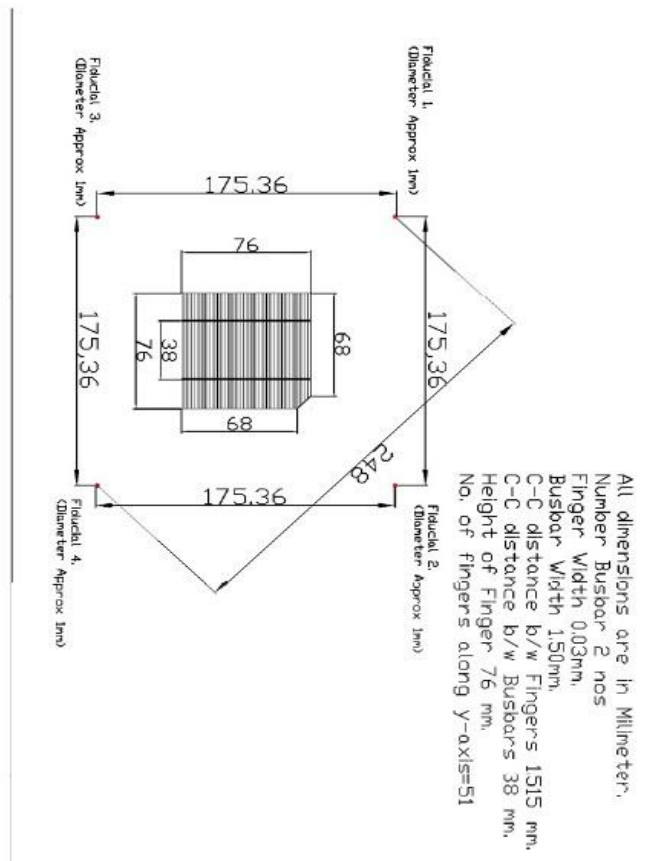
**Prof. H. Saha
CEGESS
IEST, Shibpur
Howrah-711103, India**

3. Item name must be mentioned on cover.
4. The price quoted should be inclusive of all Taxes in INR, duties and levies. Inclusion of Tax/Levy at a latter stage will not be accepted. Freight, Insurance charges should be clearly indicated. If GST is chargeable then price quoted should be inclusive of GST in INR (Only for Indian Manufacturers).
5. Vendor should have proven track record of supply in IEST, IIT, NIT, IISc.
6. Commercial Papers like GST, PAN & Trade License etc. duly signed & must be attached otherwise it will not be acceptable.
7. For Foreign Suppliers : Price should be include Packing + Insurance + Shipping + Custom Duty + Custom Clearance upto IEST, Shibpur. Custom duty and Clearance charges will not be paid by IEST, Shibpur.

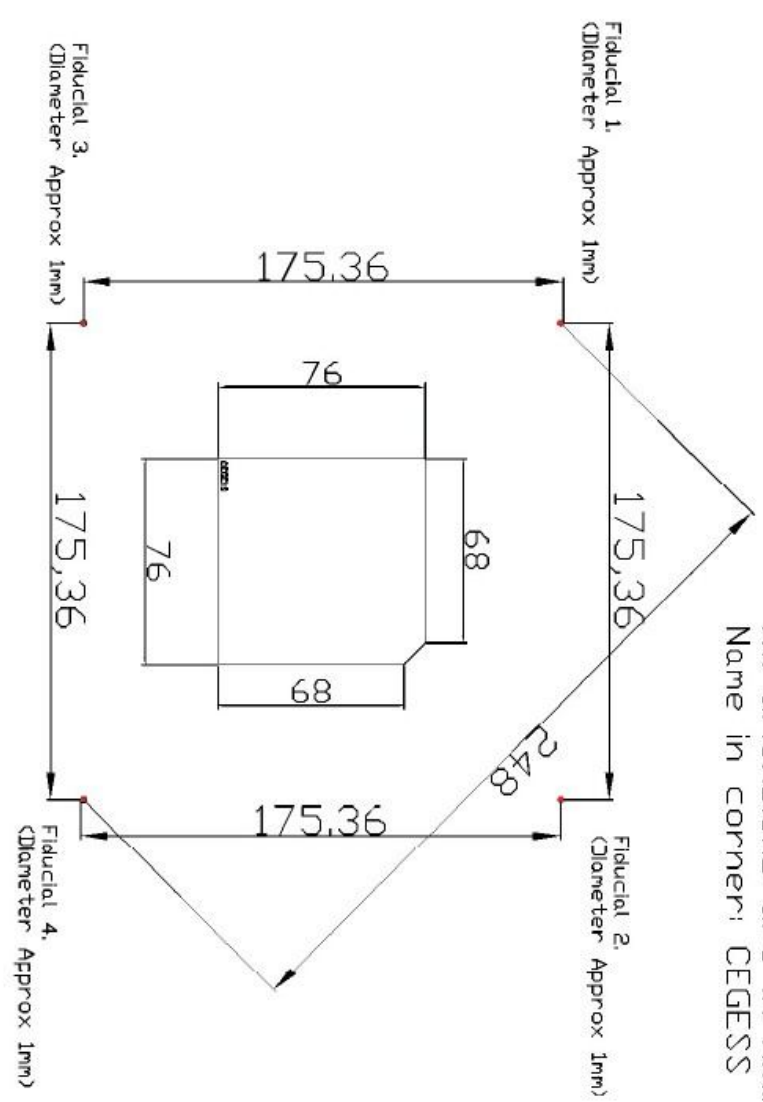
SECTION II: TECHNICAL SPECIFICATIONS :-

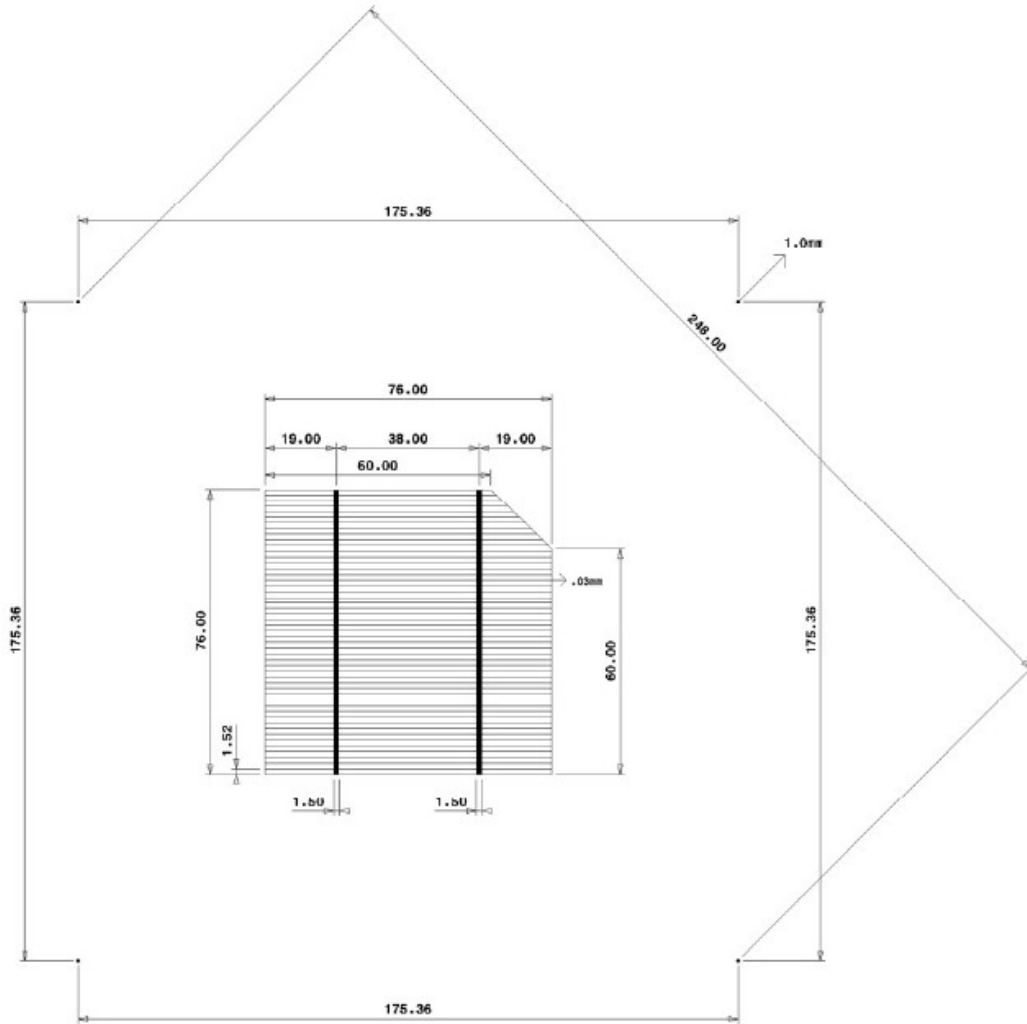
Item 1.

3" X 3" Stencil for Solar Cells Printing

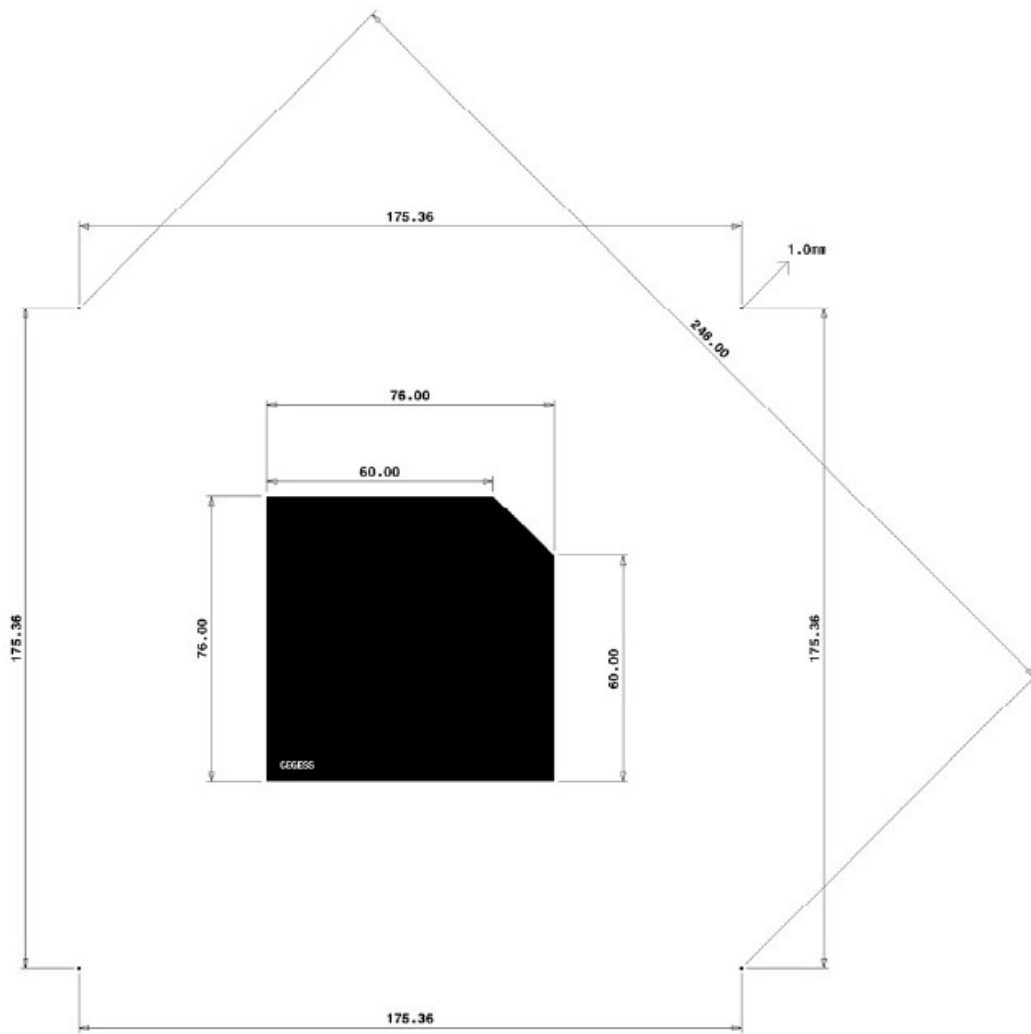


All dimensions are in Millimeter
Name in corner: CEGESS





BSEU_51F_30mic_2BB_BB1.5mm_76mm



BSEU_BACKAL_76mm

